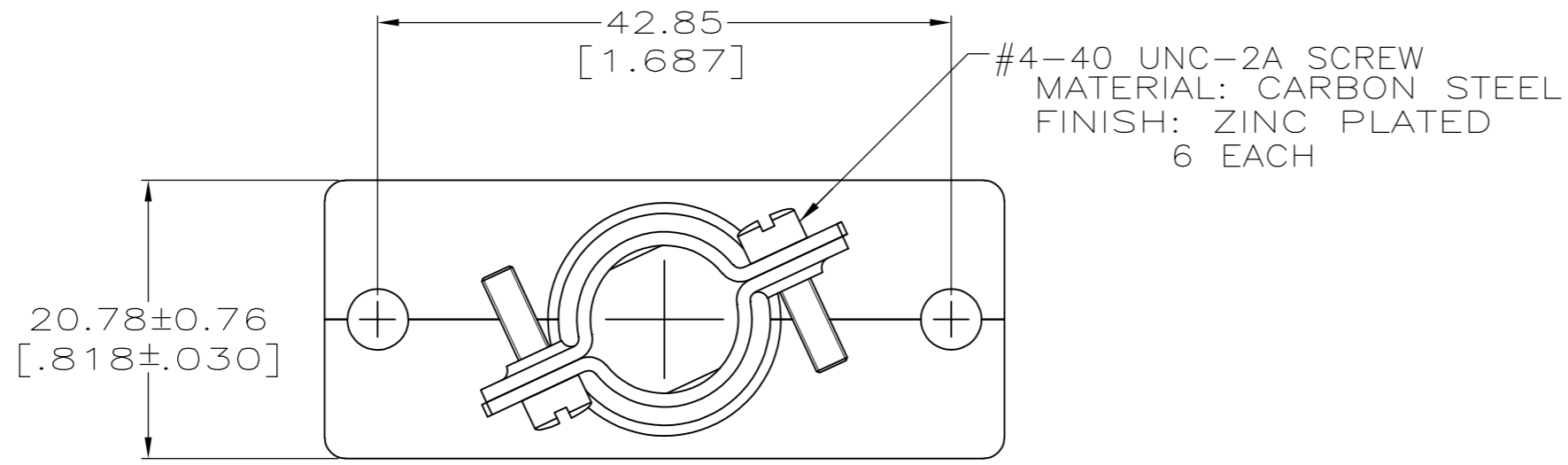
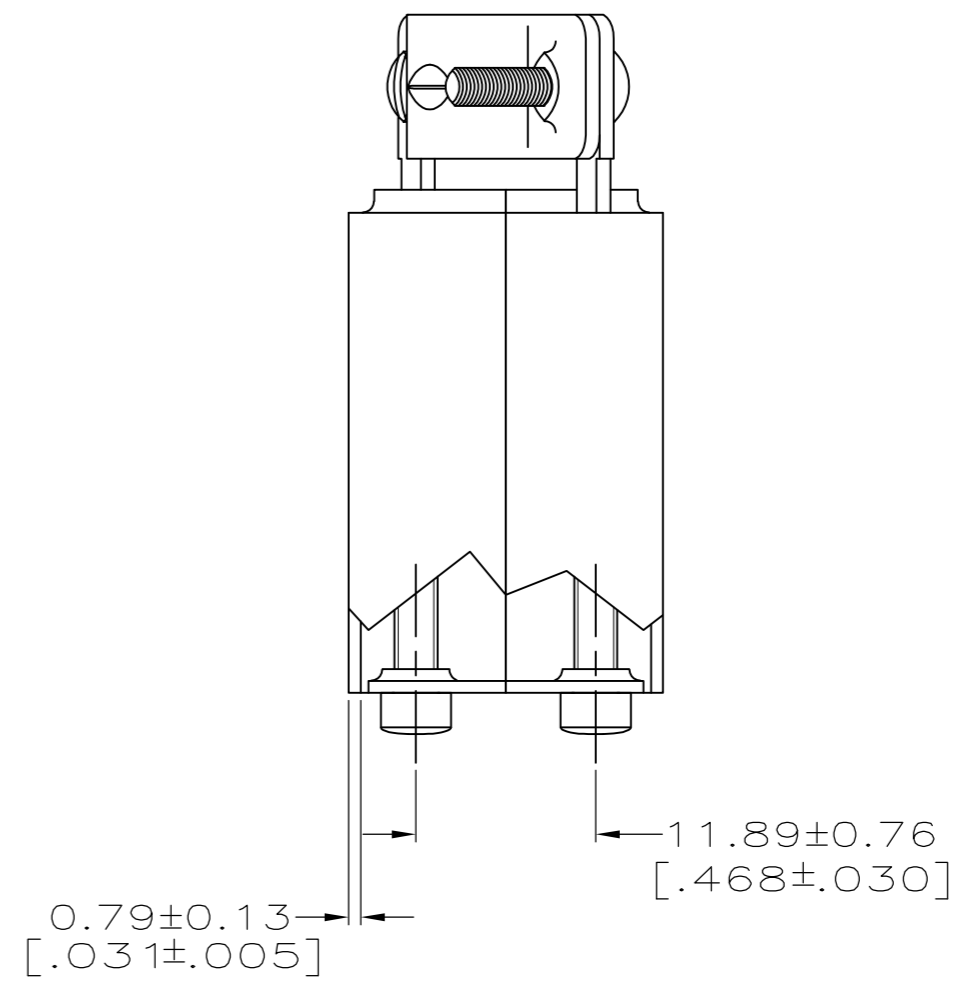
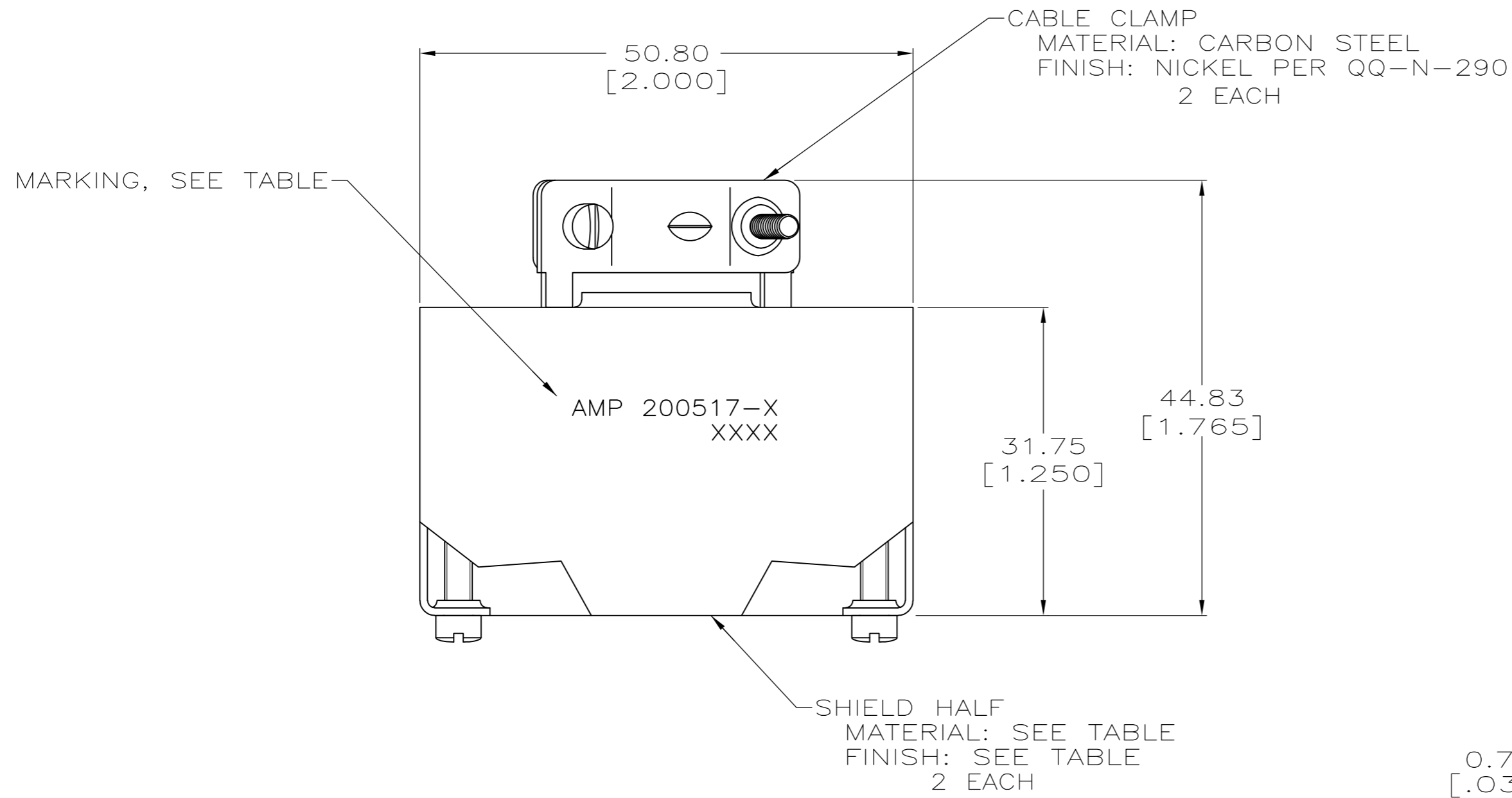


THIS DRAWING IS UNPUBLISHED. RELEASED FOR PUBLICATION
 © COPYRIGHT BY TYCO ELECTRONICS CORPORATION. ALL RIGHTS RESERVED.

LOC	DIST	REVISIONS					
FT	8	P	LTR	DESCRIPTION	DATE	DWN	APVD
		AC1		REVISED PER ECO-06-5544	3/14/06	SS	GS
		AC2		REVISED PER ECO-09-021826	11JAN10	KK	AEG



- 1 AMP, PART NUMBER AND DATE CODE, INK STAMPED ON (1) OR BOTH SIDES.
- 2 HEXAVALENT CHROMATE COATING.
- 3 NON-HEXAVALENT CHROMATE COATING.
- 4 OBSOLETE PARTS: OBSOLETE CIS STREAMLINING PER D.RENAUD/D.SINISI



NOTES	CABLE RANGE DIA	MARKING	FINISH	MATERIAL	PART NUMBER
3	11.05-13.84 [.435-.545]	1	NICKEL PER QQ-N-290	CARBON STEEL	200517-9
4 OBSOLETE	7.62-11.43 [.300-.450]	1	NICKEL PER QQ-N-290	CARBON STEEL	200517-8
4 OBSOLETE	11.05-13.84 [.435-.545]	-	CLEAR ANODIZED	ALUMINUM ALLOY	200517-7
2	11.05-13.84 [.435-.545]	1	NICKEL PER QQ-N-290	CARBON STEEL	200517-2
2	11.05-13.84 [.435-.545]	1	CLEAR ANODIZED	ALUMINUM ALLOY	200517-1

THIS DRAWING IS A CONTROLLED DOCUMENT.

DWN	K.FOLTZ	01/23/95
CHK	R.STONE	01/24/95
APVD	-	-
PRODUCT SPEC	-	-
APPLICATION SPEC	-	-
WEIGHT	-	-
CUSTOMER DRAWING	SCALE 2:1	SHEET 1 OF 1

Tyco Electronics Tyco Electronics Corporation
 Harrisburg, PA 17105-3608

NAME: SHIELD KIT, UNASSEMBLED, SHORT, 34 POSITION, M SERIES

SIZE: A2 CAGE CODE: 00779 DRAWING NO: C=200517 RESTRICTED TO: -

REV: AC2